



New PMP Solutions

Matt Mangriotis

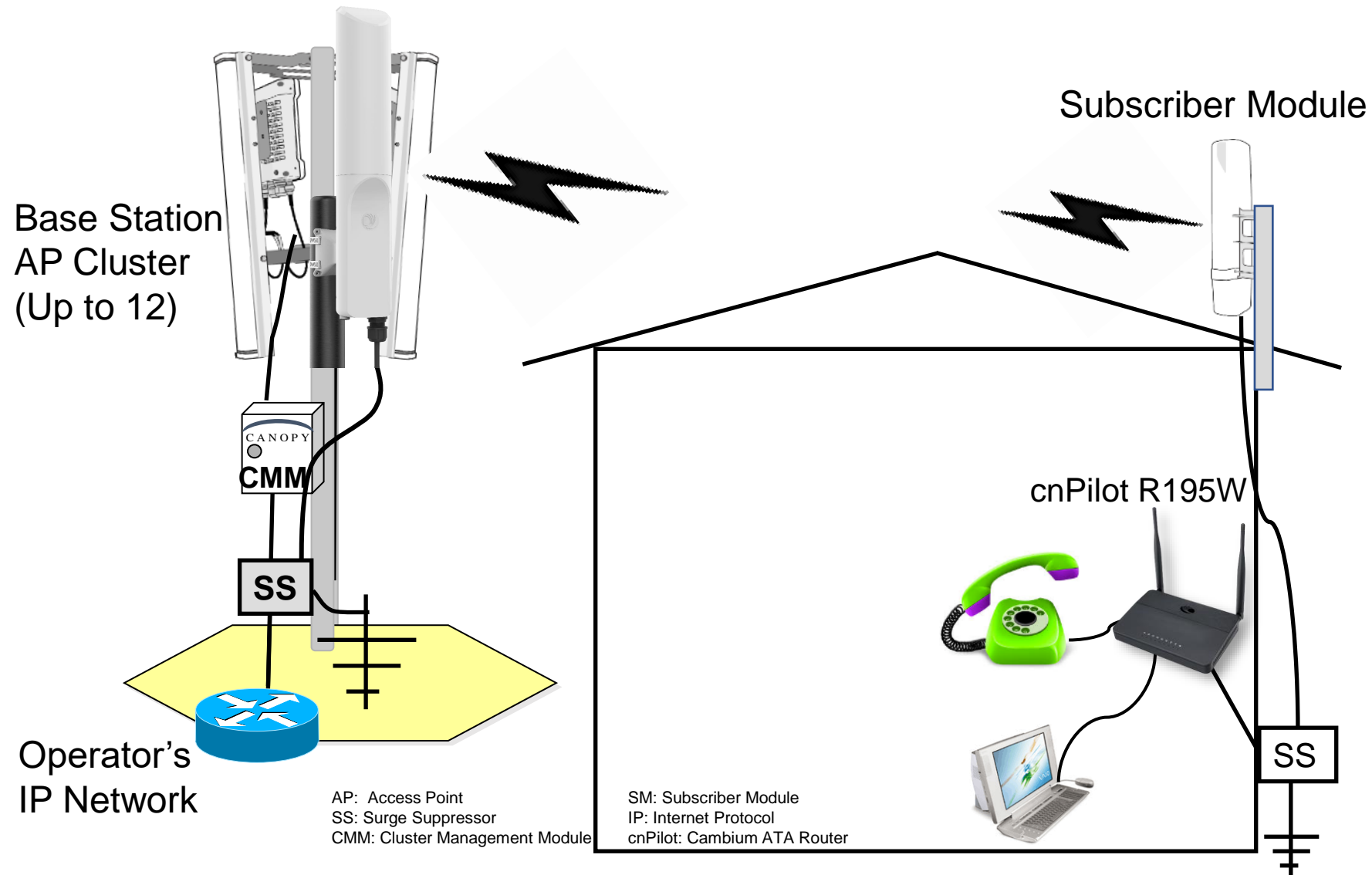


- Flagship PMP product family from Cambium Networks
 - *Over 1 Gbps per sector possible*
 - *Continuous platform evolution and advanced radio design*
 - *Extreme site capacity, and spectral efficiency*
- OFDM MIMO provides near Line-of-Sight (nLOS) and LOS
- *Software defined radio design* allows for rapid expansion of frequency bands, both licensed and unlicensed
- Utilizes *GPS syncing capability* to maximize spectral efficiency and very low latency *supporting VoIP and video*



- Continual platform evolution and expansion: 450, 450i, 450m, 450b

Applications: PMP 450 Series Residential



Two Form Factors:

- Integrated mid-gain antenna (17 dBi) similar to Force 180
- High Gain integrated antenna (24dBi), similar to Force 200

New FPGA / SoC architecture

- Next-gen processor, **Enhanced Packet Processing**
- Better support for wider channels → more throughput
- Wideband support (4.9 – 5.925 GHz)**

I/O changes

- Single **Gigabit** Ethernet port
- Audio jack for alignment tone

Re-use of 30 VDC Power scheme

- Same power supply as current 450 SM
- Polarity Agnostic – Both “Canopy” or “UBNT” 30 VDC

Prices (MSRP):

- \$309 for mid-gain version
- \$359 for Integrated dish version (sold in 4-packs)



Available since Sept, 2017



Available since March, 2018

- **New FPGA / SoC architecture**
 - Next-gen processor, **Enhanced Packet Processing**
 - Better support for wider channels → more throughput
 - **Wideband support (4.9 – 5.925 GHz)**
- **I/O changes**
 - Single **Gigabit** Ethernet port
 - Audio jack for alignment tone
 - IP 67 ruggedized protection
 - 2x RP-SMA connections for external antenna
 - Will fit ePMP1000 twistport adaptor from RF Elements
- **Re-use of 30 VDC Power scheme**
 - Same power supply as current 450 SM
 - Polarity Agnostic – Both “Canopy” or “UBNT” 30 VDC
- **MSRP: \$ 309**

- Note: Connectorized MicroPoP has same form factor
 - Differences:
 - 48 VDC (PoE 802.3at) input vs. 30 VDC (“Canopy-style”)
 - Onboard GPS
 - Price: \$999 MSRP



Target Release Q4, 2020



Power / Network

Gigabit Ethernet PoE
Standard 802.3af/at PoE IN (± 48 VDC) (12W Max Power Draw)

RF Options

Integrated: Omni & 90/120° Sector
Omni – 9 dBi Gain
90/120° Sector –13 dBi Gain, targeting 32 dB FB

Integrated GPS on all models

External GPS antenna port
Supports sync over power method with cnPulse accessory

Physical default method

Push button on rear, long press variations to reboot / reset to defaults

MSRP \$999

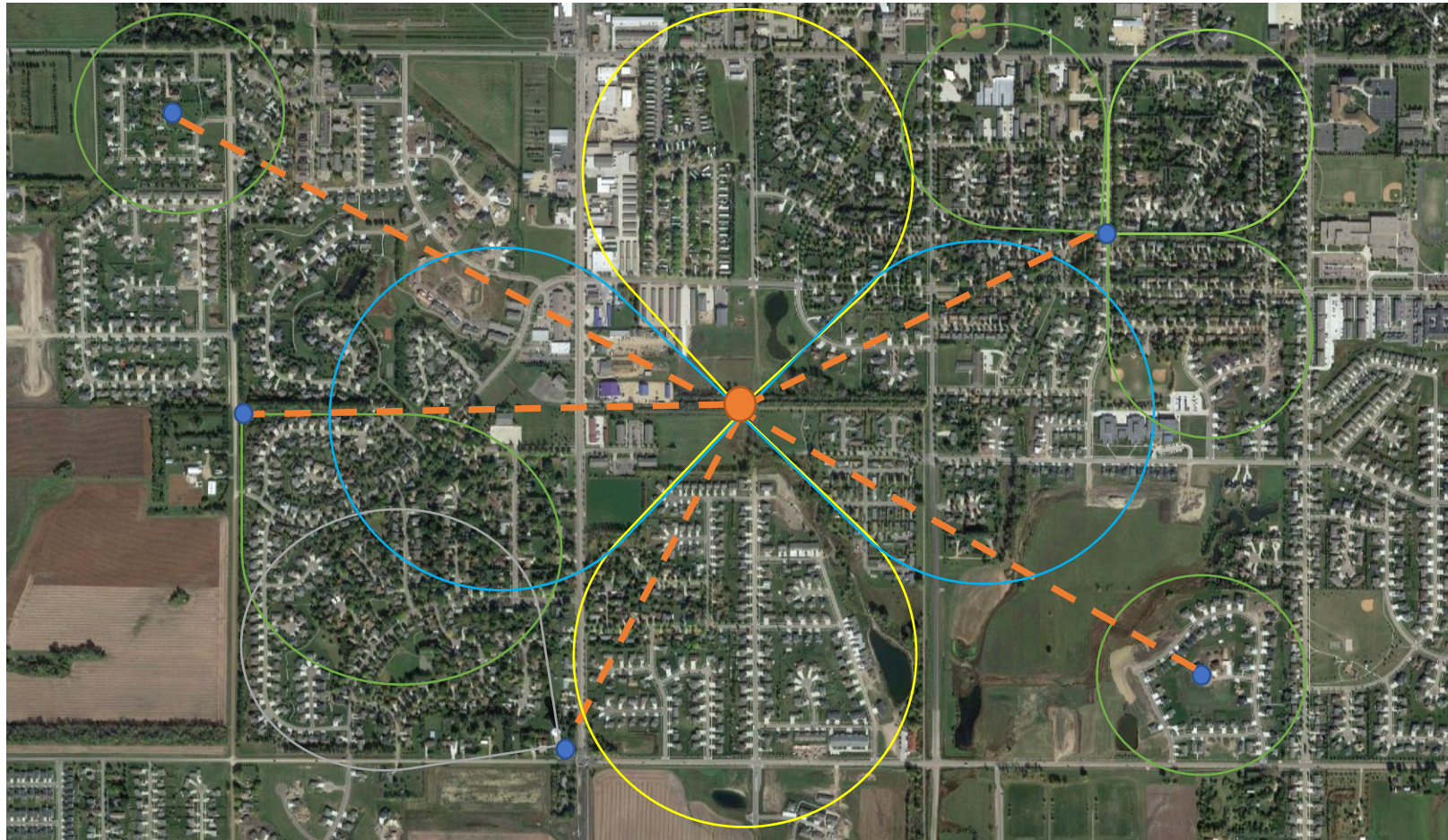
Limitations

2 Miles Range / Up to 20 SMs connected
Limits can be removed with License Key (MSRP of key \$1799)

Shipments begin mid-August, 2020



MicroPoP Deployment Examples

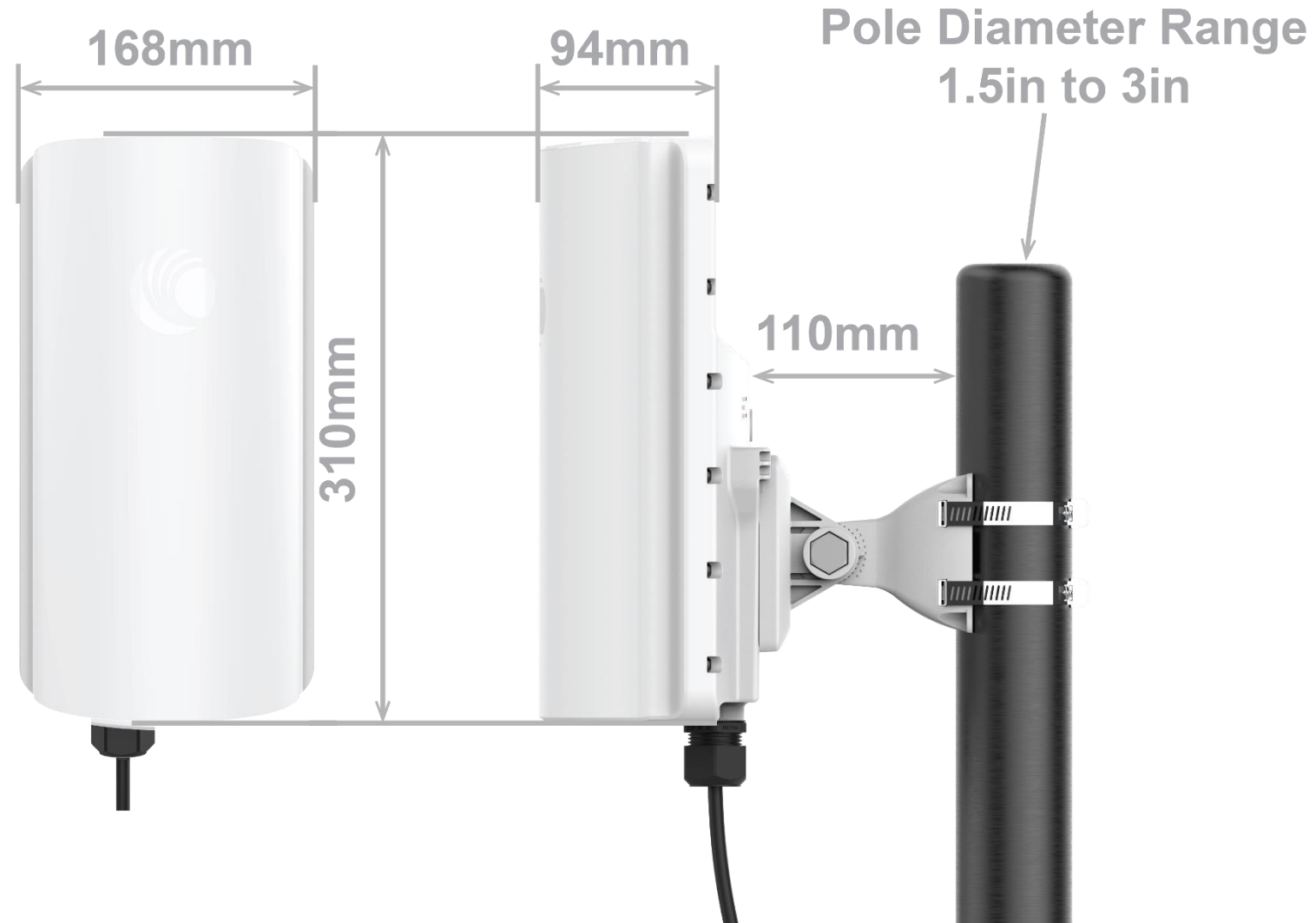


- Macro Tower
- MicroPoP Site
- Omni Coverage
- Sector Coverage
- Backhaul Link (PTP, cnWave, etc.)

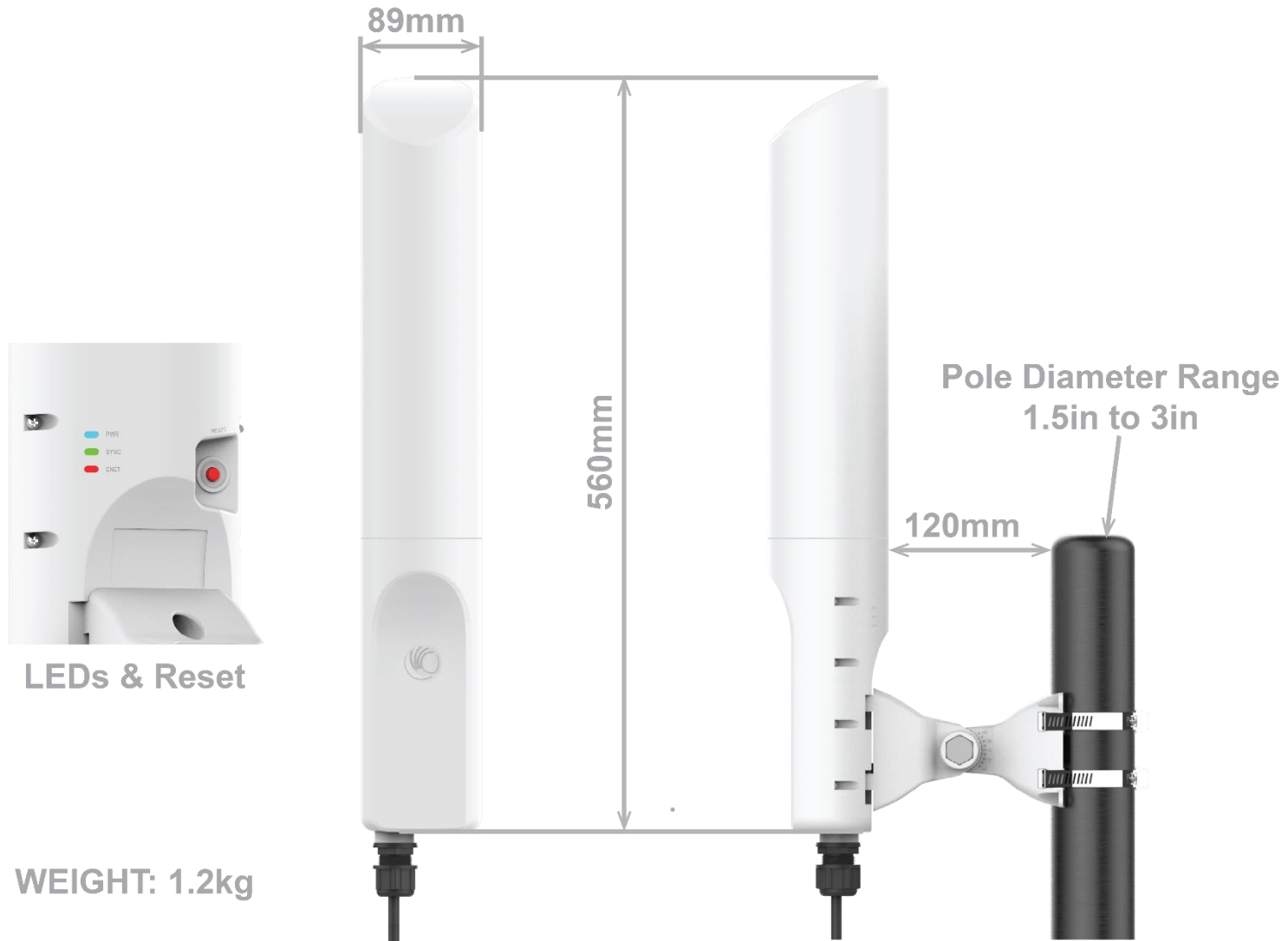


LEDs & Reset

WEIGHT: 2 kg



450 MicroPoP Omni



5 GHz 450 MicroPoP - MSRP Part Number List

Part Number	Description	MSRP
C050045A201A	5 GHz 450 MicroPoP Omni - ROW	\$ 999
C050045A202A	5 GHz 450 MicroPoP Omni – FCC	\$ 999
C050045A203A	5 GHz 450 MicroPoP Omni - ISED	\$ 999
C050045A204A	5 GHz 450 MicroPoP Omni – EU	\$ 999
C050045A205A	5 GHz 450 MicroPoP Omni – No Encryption	\$ 999
C050045A206A	5 GHz 450 MicroPoP Sector - 90 Degree - ROW	\$ 999
C050045A207A	5 GHz 450 MicroPoP Sector - 90 Degree – FCC	\$ 999
C050045A208A	5 GHz 450 MicroPoP Sector - 90 Degree - ISED	\$ 999
C050045A209A	5 GHz 450 MicroPoP Sector - 90 Degree – EU	\$ 999
C050045A210A	5 GHz 450 MicroPoP Sector - 90 Degree – No Encryption	\$ 999
C000045K201A	450 MicroPoP Unlock Key	\$ 1,799

MicroPoP Accessories - MSRP Part Number List

Part Number	Description	MSRP
N000000L034A	POWER SUPPLY, 30W, 56V - Gbps support	\$ 25
N000900L031A	CABLE, UL POWER SUPPLY CORD SET, 720mm, US	\$ 5
N000900L032A	CABLE, UL POWER SUPPLY CORD SET, 720mm, EU	\$ 5
N000900L033A	CABLE, UL POWER SUPPLY CORD SET, 720mm, UK	\$ 5
C000000L033A	Gigabit Surge Suppressor (56V)	\$ 50

Any Questions?



Cambium Networks™